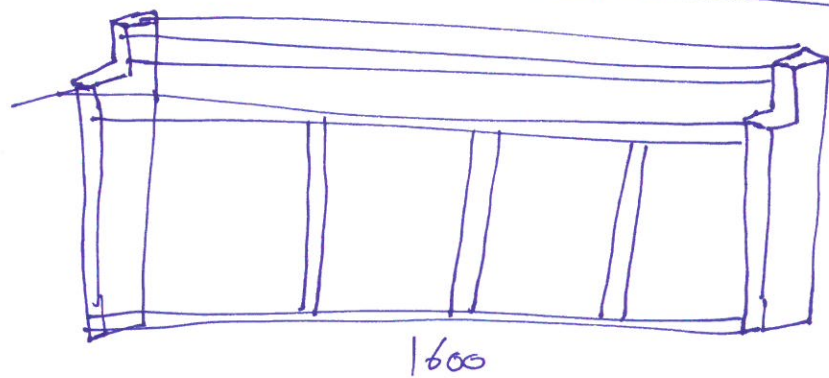
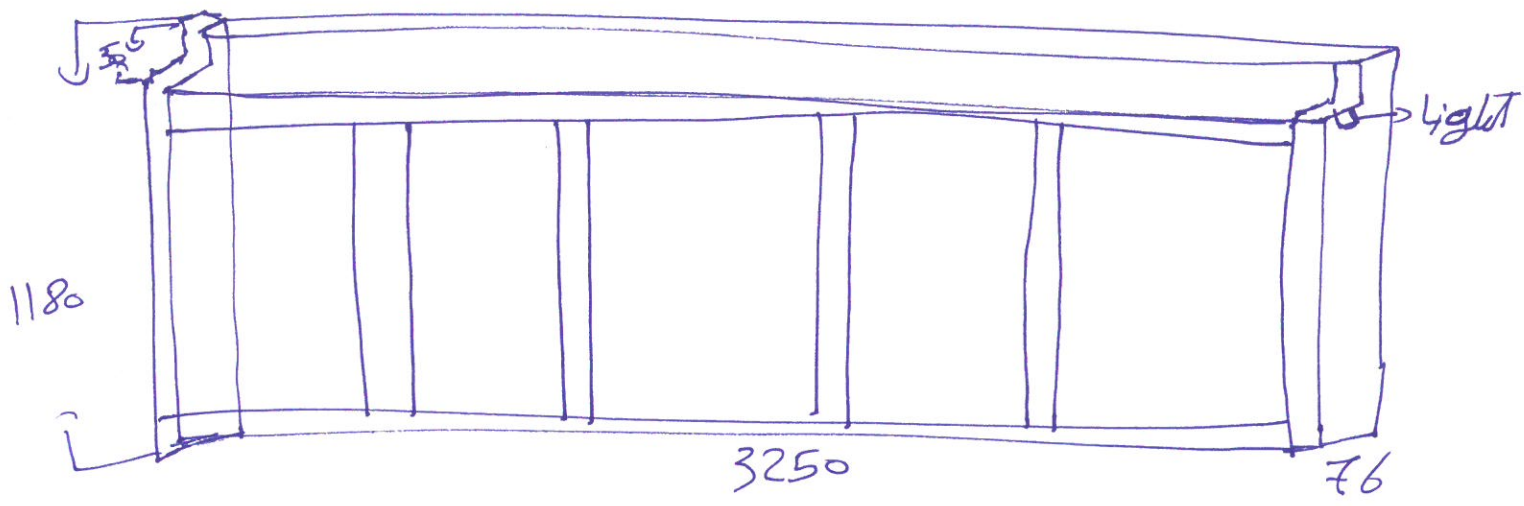


- 1- 850 X 76 X 30 \Rightarrow 2Pcs Austi~~rea~~ Wood Side
- 2- 2170 X 76 X 30 \Rightarrow 2Pcs Bottom + Middle
- 3- 170 X 30 X 30 \Rightarrow 1Pc Top
- 4- 740 X 76 X 30 \Rightarrow 4Pcs Middle Austi~~rea~~ Wood

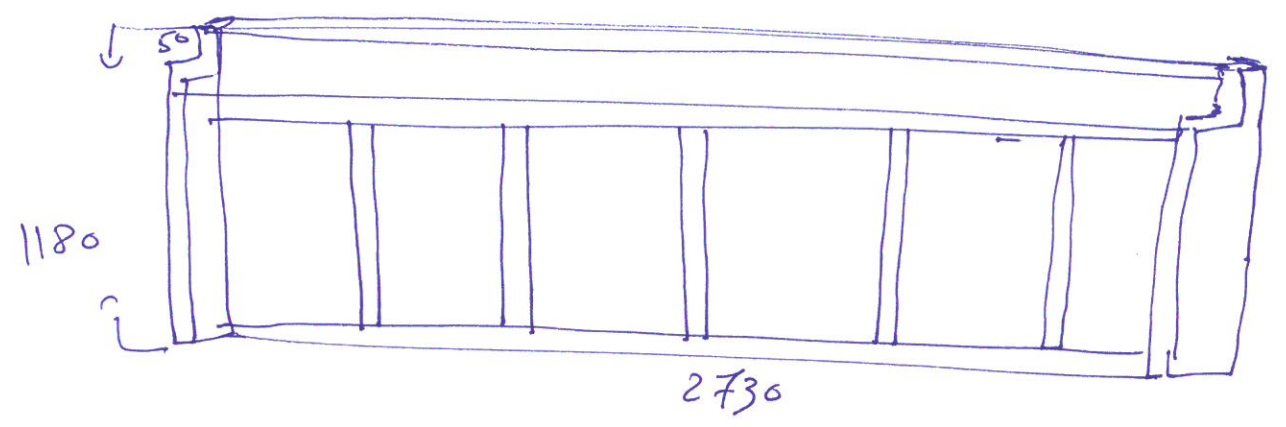
5-



- 1- 850 X 76 X 30 \Rightarrow 2Pcs Austi~~rea~~ Wood Side
- 2- 1540 X 76 X 30 \Rightarrow 2Pcs Austi~~rea~~ Wood Bottom + Middle
- 3- 1540 X 30 X 30 \Rightarrow 1Pc Austi~~rea~~ Wood Top
- 4- 740 X 30 X 76 \Rightarrow 3Pcs Austi~~rea~~ Wood Middle



- 1-1180 X 76 X 30 \Rightarrow 2 pcs Australia Wood side
- 2-3190 X 76 X 30 \Rightarrow 2 pc Australia Wood Bottom + middle
- 3-3190 X 30 X 30 \Rightarrow 1 pc Australia Wood Top
- 4-1070 X 76 X 30 \Rightarrow 7 pcs Australia Wood Middle



- 1-1180 X 76 X 30 \Rightarrow 2 pcs Australia Wood side
- 2-2670 X 76 X 30 \Rightarrow 2 pcs ~~Bottom~~ Bottom + middle si
- 3-2760 X 30 X 30 \Rightarrow 1 pc Australia Wood Top
- 4-1070 X 76 X 30 \Rightarrow 5 pcs Australia Wood Middle

Project Name	Mai Shayi
Project Code	
Job Order Number	

Roast room

Item Description	Qty Required	UOM
Height	1	Pcs
Width	700	Thickness
800		350

Date 8/7/2024

All Measurements are in millimetres

SF	SF Description	Parts Description	Length	Width	Thickness	Qty	Remarks
1	SF000-1	Wall B	797	347	18	2	WS05
2	SF000-1	Wall B	664	347	18	1	WS05
3	SF000-1	Wall B	664	347	18	2	WS05
4	SF000-1	Wall B	664	97	18	4	WS05
5	SF000-1	Wall B	780	684	18	1	WS05
6	SF000-1	Wall B	664	337	18	1	WS05
		Door	797	347	18	2	WS05

*

Project Name	Mai Shayi
Project Code	
Job Order Number	

Roast room

Item Description	Qty Required	UOM
Height	700	Thickness
800		350

All Measurements are in millimetres

SF	SF Description	Parts Description	Length	Width	Thickness	Qty	Remarks
1	SF000-1	Side	797	347	18	24	WS04
2	SF000-1	Bottom	664	347	18	12	WS04
3	SF000-1	Top	664	347	18	2	WS04
4	SF000-1	Back	664	97	18	4	WS04
5	SF000-1	Back	764	664	18	1	WS04
6	SF000-1	Shelf	664	337	18	2	WS04

*

FOR APPROVAL

Project No. : ---
Scale : N/A
Drawn by : OBJ
Checked : OBJ
Cad File : CAD_FILE

Sheet title
**MAI SHAYI CAFE
ROAST ROOM
FURNITURE LAYOUT**

Dwg No. : **WS-DS-SD-MS-007**

No. : **SHEET 1**

ROAST ROOM

Upper Cabinet/Wooden Table with Steel leg

